



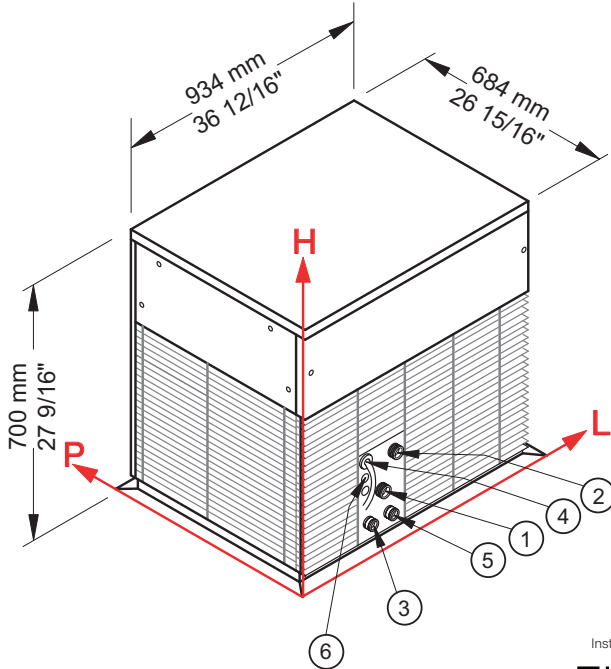


Ice Flakes

# G 1000



## Modular ice maker - Granular system Daily production up to 1119 kg



Installation



### ► Working conditions

- Location: **Indoor**

	Min	Max
Ambient temperature	+10° C / +50° F	+43° C / 110° F
Water temperature	+3° C / +37° F	+32° C / +90° F
Voltage	-10%	+10%
Water inlet pressure	1bar (14 psi)	6bar (84 psi)

### ► Performances

	Air temperature	Water temperature					
		7° C	45° F	15° C	60° F	21° C	70° F
	10° C	1119 kg					
	50° F		2467 lbs				
	21° C			1000 kg			
	70° F				2205 lbs		
	32° C					800 kg	
	90° F						1764 lbs

### ► Connections

All measures are referred to the down-left corner (L-H-Ø)

- ① Water in.: 357 mm / 14 1/16" - 115 mm / 4 8/16" - 3/4"
- ② Cond. water in.: 385 mm / 15 3/16" - 241 mm / 9 8/16" - 3/4"
- ③ Water out.: 336 mm / 13 4/16" - 60 mm / 2 6/16" - 24 mm / 15/16"
- ④ Electrical connections: 322 mm / 12 11/16" - 257 mm / 10 2/16"
- ⑤ Cond. water out.: 381 mm / 15" - 60 mm / 2 6/16" - 24 mm / 15/16"
- ⑥ Remote connections.: 322 mm / 12 11/16" - 216 mm / 8 8/16"
- ② ④ Only for water cooling systems

### ► Technical information

Production in 24h	1000 kg / 2205 lbs	Sizes (L-P-H mm)	934 - 684 - 700
Cooling system	A - W	(L-P-H in)	36 12/16 - 26 15/16 - 27 9/16
Refrigerant	R452A	Sizes with pack (L-P-H mm)	995 - 765 - 890
Standard voltage	400-415 V ~ 3N 50 Hz	(L-P-H in)	39 3/16 - 30 2/16 - 35 1/16
Average power consumption	2550 W	Net weight	177 kg / 390 lbs
Fuse	16 A	Gross weight	207 kg / 456 lbs
Water consumption	A: 1 l/kg - 12,0 gal/100 lbs W: 5,3 l/kg - 63,5 gal/100 lbs	Finish	AISI 304 stainless steel, scotch brite

All the technical information need to be considered at the following conditions:  
 Ambient temperature +21° C  
 Water temperature +15° C  
 Average power consumption at +43° C (standard voltage)

Models and specifications are subject to change without notice

Rev. 01 - Issued July 2024



[www.bremaice.it](http://www.bremaice.it)  
[info@bremaicegroup.it](mailto:info@bremaicegroup.it)

We are Brema

