



Modular ice maker - Scale system
Daily production up to 5000 kg

Hotel	████████████████████
Restaurant	████████████████████
Fast food	████████████████████
Bar	████████████████████
Disco	████████████████████
Fish market	████████████████████
Supermarket	████████████████████
Medical & SPA	████████████████████
Industry	████████████████████

► Position n°



► Features & Plus

- Sub-cooled scale ice 99% dry
- 1l (water) - 1kg (ice) - only Air cooled
- AISI 304 SS Scotch Brite finish
- Tropical class +43°C
- Specific volume 1 m³ = 430 kg of ice
- Vertical fixed "no leak" evaporator
- AISI 316L SS evaporator
- Cleanable antiscala filter
- FDA approved - ABS plastic components
- Easy cleanable internal rounded surfaces
- RoHS Free
- Automatic water charge



AISI 304 SS
Scotch Brite finish



Vertical fixed "no
leak" evaporator



Cleanable
antiscala filter

2 Years Warranty
subject to limitations

► Certifications available for this model



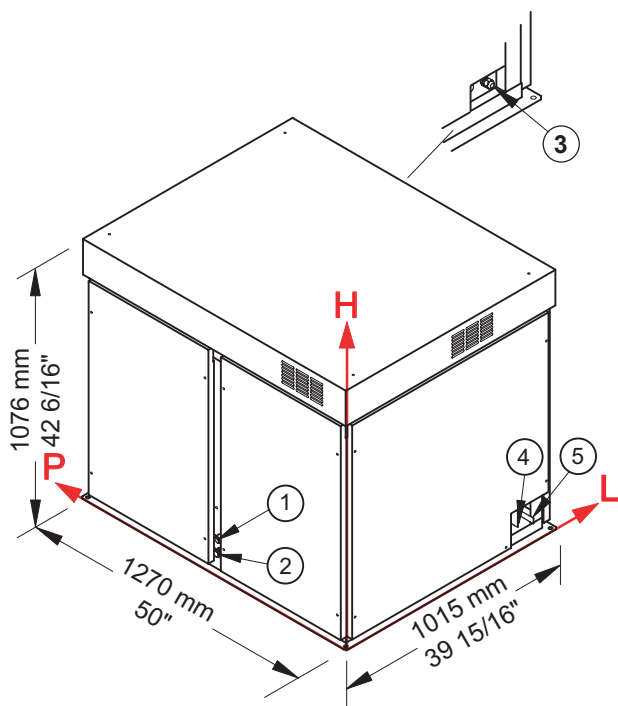


Ice Scales

M 5000 Split



Modular ice maker - Scale system
Daily production up to 5000 kg



► Working conditions

- Location: **Indoor**

	Min	Max
Ambient temperature	+10° C / +50° F	+43° C / 110° F
Water temperature	+3° C / +37° F	+32° C / +90° F
Voltage	-10%	+10%
Water inlet pressure	1bar (14 psi)	6bar (84 psi)

► Connections

- ① Water inlet
- ② Water outlet
- ③ Electrical connection
- ④ Refrigerant feeding pipe
- ⑤ Outlet pipe of gaseous refrigerant

► Technical information

Production in 24h	5000 kg / 11023 lbs
Usable refrigerant	R452A
Refrigerant capacity	25000 W (evap. temp. -27° C)
Water consumption	1 l/kg - 12,0 gal/100 lbs
Standard voltage	400-415 V ~ 3N 50Hz
Average power consumption	360 W
Finish	AISI 304 stainless steel, scotch brite

Sizes (L-P-H mm)	1270- 1015 - 1076
(L-P-H in)	50 - 39 15/16 - 42 6/16
Sizes with pack (L-P-H mm)	1394 - 1139 - 1420
(L-P-H in)	54 1/16 - 44 13/16 - 55 14/16
Net weight	600 kg / 1323 lbs
Gross weight	620 kg / 1367 lbs

All the technical information need to be considered at the following conditions:
 Ambient temperature +21° C
 Water temperature +15° C
 Average power consumption at +43° C (standard voltage)

Models and specifications are subject to change without notice

Rev. 03 - Issued January 2025



www.bremagroup.it
info@bremaicegroup.it

We are Brema

